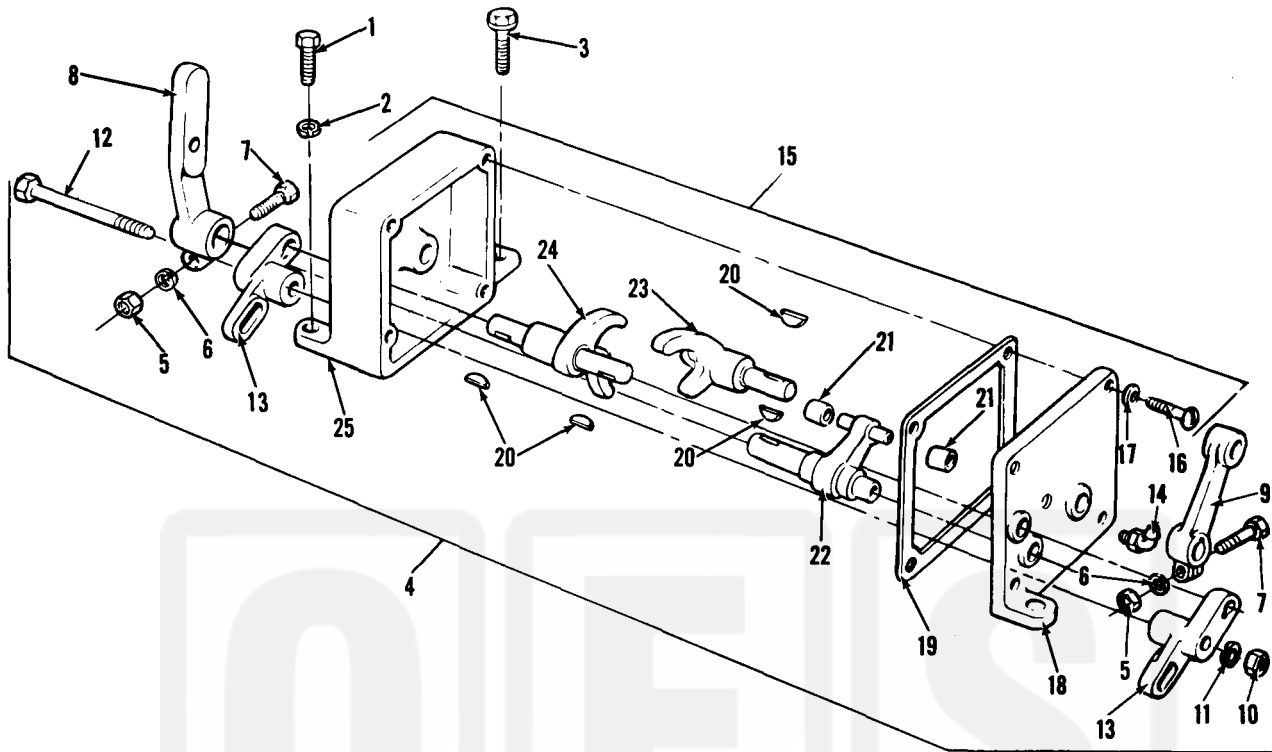


Current part is item (9) on diagram. Available at www.oshkoshequipment.com

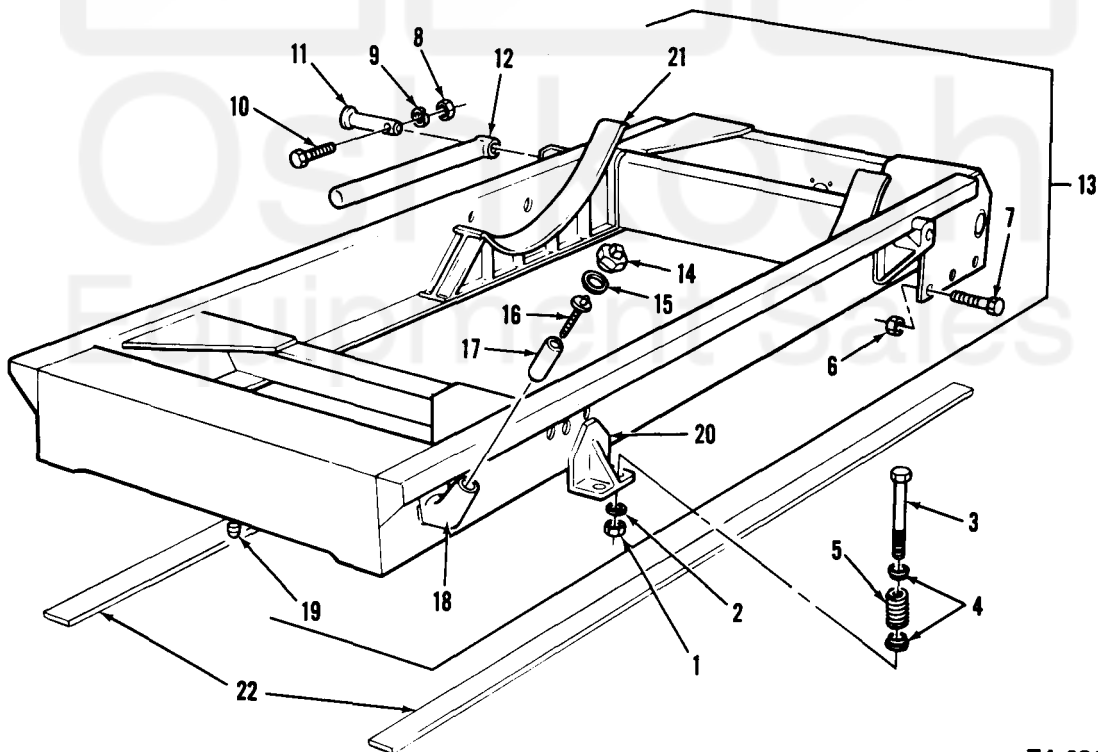
(1)	(2)	(3)	(4)	(5)	(6)	(7)	(8)
ILLUS.							QTY
(a)	(b)	SMR	NATIONAL	PART	DESCRIPTION	U/M	INC
FIG.	ITEM	CODE	STOCK	NUMBER	FSCM		IN
NO.	NO.		NUMBER		USABLE ON CODE		UNIT
					2001-HOIST,CAPSTAN,WINDLASS,CRANE OR WINCH ASSEMBLY(CONT'D)		
291	5	XAFZZ		7409042	19207	EA	2
291	6	XAFZZ		7409041	19207	EA	2
291	7	PAFZZ	3120-00-740-9299	7409299	19207		
					BEARING,SLEEVE:DUMP BODY HYDRAULIC HOIST CROSSHEAD ROLLER ARM(M342,M342A2)	EA	4
291	8	PAFZZ	5305-00-269-2810	MS90726-68	96906		
					SCREW,CAP,HEXAGON HEAD (M342,M342A2)	EA	1
291	9	PAFZZ	5310-00-637-9541	MS35338-46	96906		
					WASHER,LOCK(M342,M342A2)	EA	1
291	10	XBFZZ		7490937	19207		
					RETAINER(M342,M342A2)	EA	1
291	11	XBFZZ		7409038	19207		
					RETAINER(M342,M342A2)	EA	1
291	12	PAFZZ	2590-00-626-2161	7971949	19207		
					CROSSHEAD,HOIST:S,HYDRAULIC HOIST,DUMP BODY(M342,M342A2)	EA	1
292	1	PAOZZ	5305-00-958-0589	MS35207-311	96906		
					SCREW,MACHINE (M47,M59,M342,M342A2)	EA	1
292	2	PAOZZ	5310-00-637-9541	MS35338-46	96906		
					WASHER,LOCK (M47,M59,M342,M342A2)	EA	1
292	3	PAOZZ	5305-00-042-0993	420993	21450		
					SCREW,ASSEMBLED WASHER (M47,M59,M342,M342A2)	EA	2
292	4	PAOFF	2520-00-740-9090	7409090	19207		
					BOX,CONTROL:W/LEVERS (M47,M59,M342,M342A2)	EA	1
292	5	PAFZZ	5310-00-768-0319	MS51968-2	96906		
					NUT,PLAIN,HEXAGON (M47,M59,M342,M342A2)	EA	2
292	6	PAFZZ	5310-00-637-9541	MS35338-46	96906		
					WASHER,LOCK (M47,M59,M342,M342A2)	EA	2
292	7	XBFZZ	5305-00-267-8974	MS90726-8	96906		
					SCREW,CAP,HEXAGON HEAD (M47,M59,M342,M342A2)	EA	2
292	8	PAFZZ	2520-00-740-9099	7409099	19207		
					LEVER,CONTROL BOX: CONTROL BOX CONTROL ROD (M47,M59,M342,M342A2)	EA	1
292	9	PAFZZ	2520-00-740-9094	7409094	19207		
					LEVER,REMOTE CONTROL: DUMP BODY HYDRAULIC HOIST CONTROL BOX POWER TAKE-OFF SHAFT (M47,M59,M342,M342A2)	EA	1
292	10	PAFZZ	5310-00-732-0559	MS51968-8	96906		
					NUT,PLAIN,HEXAGON (M47,M59,M342,M342A2)	EA	1
292	11	PAFZZ	5310-00-637-9541	MS35338-46	96906		
					WASHER,LOCK: (M47,M59,M342,M342A2)	EA	1
292	12	XBFZZ		189330	21450		
					SCREW(M47,M59,M342,M342A2)	EA	1
292	13	XBFZZ		7409097	19207		
					LEVER(M47,M59,M342,M342A2)	EA	1

Current part is item (9) on diagram. Available at www.oshkoshequipment.com



TA 031388

Figure 292. Hydraulic hoist control box assembly.



TA 031389

Figure 293. Subframe.